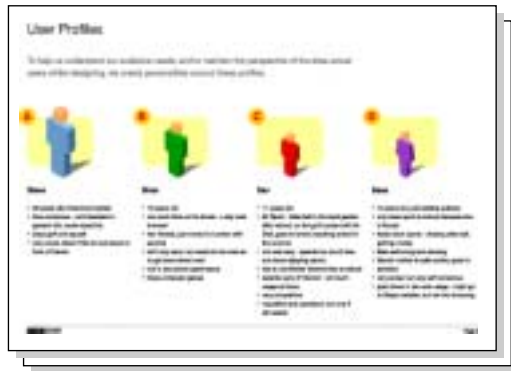


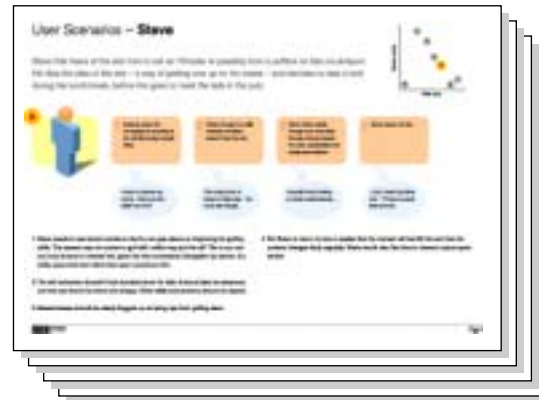
academy
Site structure overview one

Creating site overviews

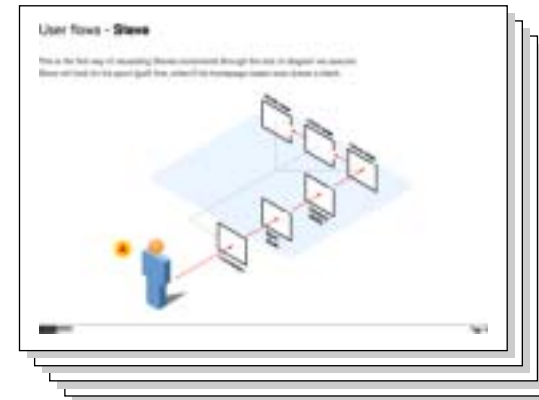
This document shows the first possible way of structuring the Academy site. This is based on the findings of the user scenarios and flows contained within the 'Academy: User profiles, scenarios and flows' document.



Profiles



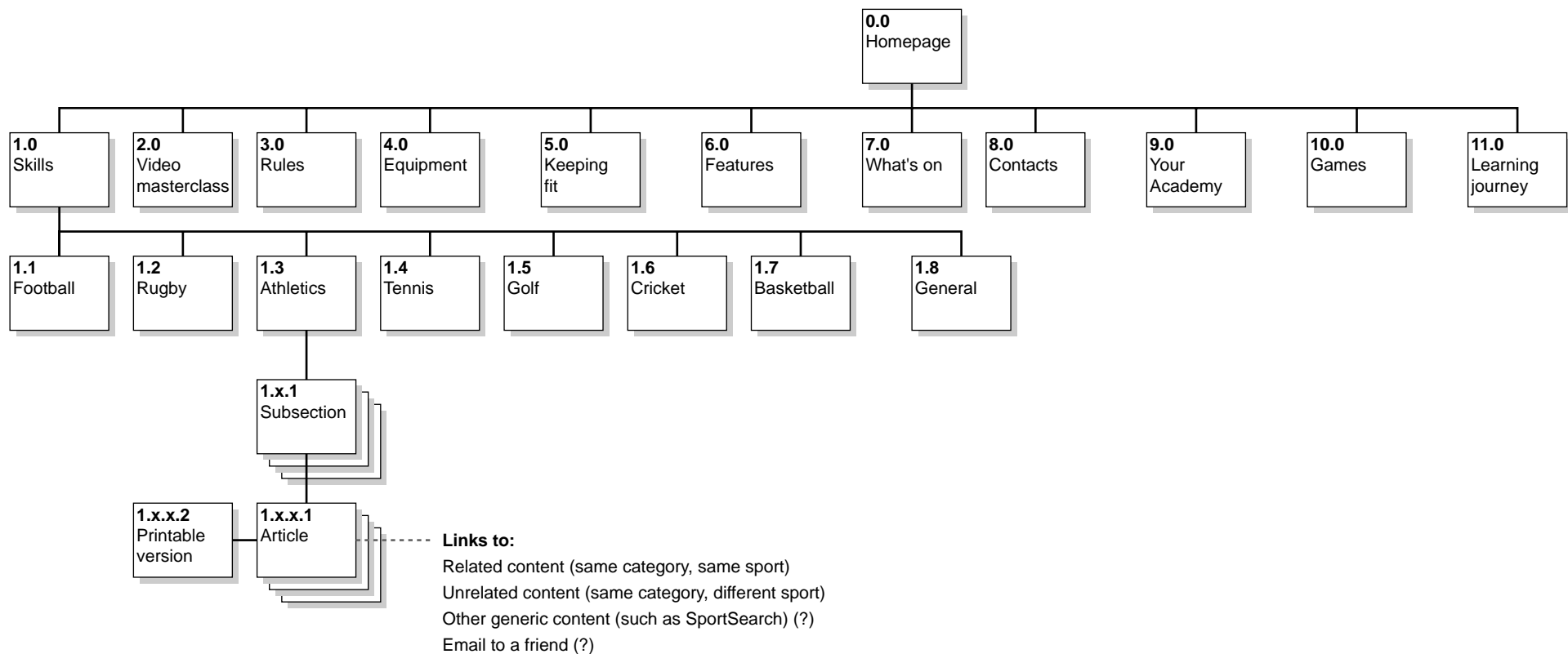
Scenarios



Flows

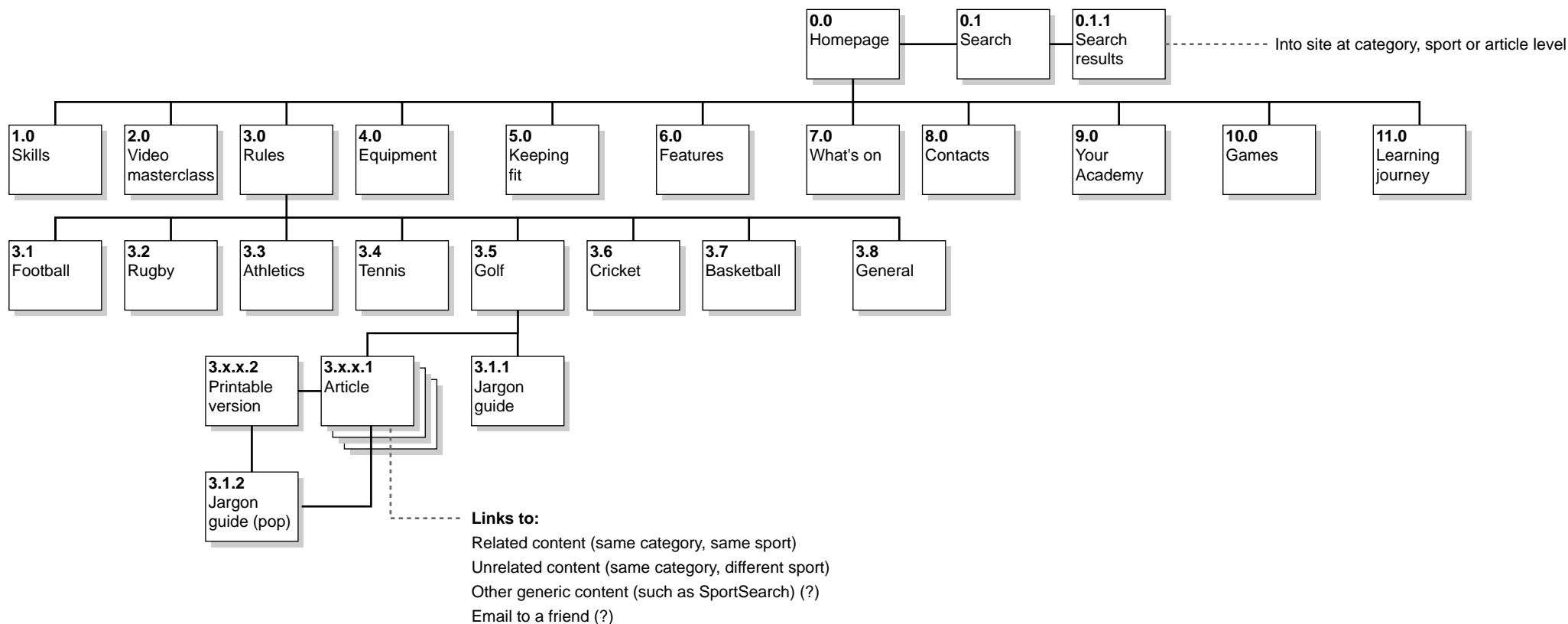
Overview one – Skills path

This path would also be used for Video masterclasses. Specific to Skills, Training drills would be a subsection of each sport. Skills and Video masterclasses for people with disabilities would appear as a subsection of a sport.



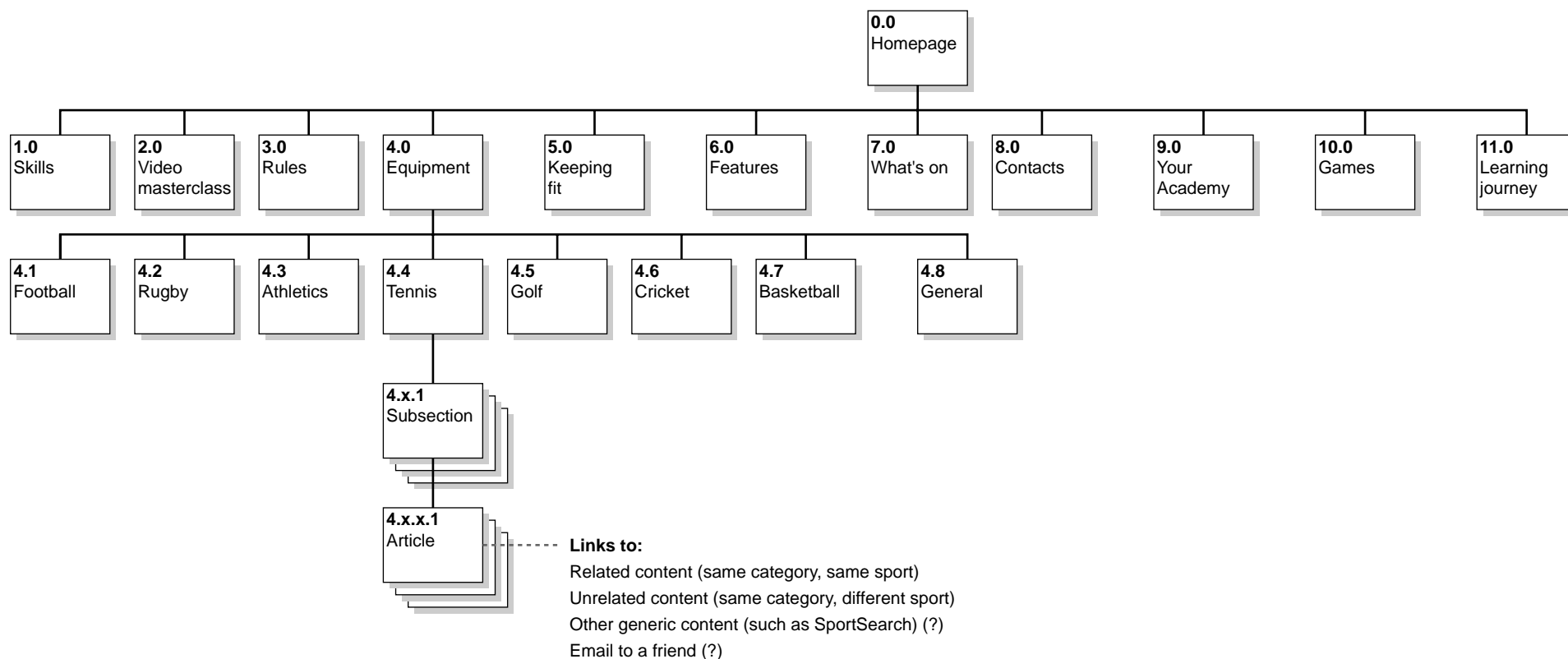
Overview one – Rules path

As the Skills and Video masterclass path, but with the addition of a Jargon guide, shown here as both a separate page and a pop up. This diagram also shows Search.



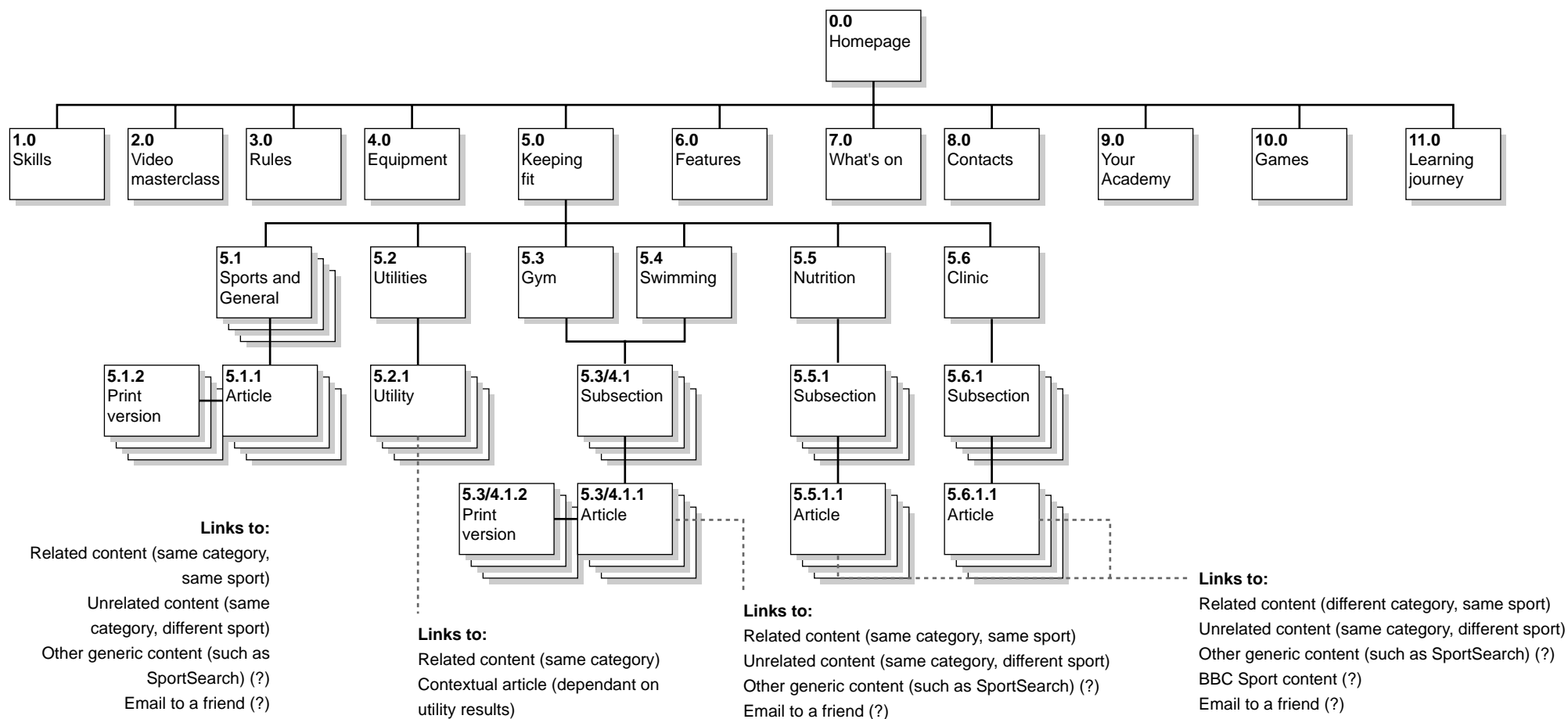
Overview one – Equipment path

Again. essentially the same as the Skills and Video masterclasses path. Article level pages do not have a separate print version, as they will be printable themselves.



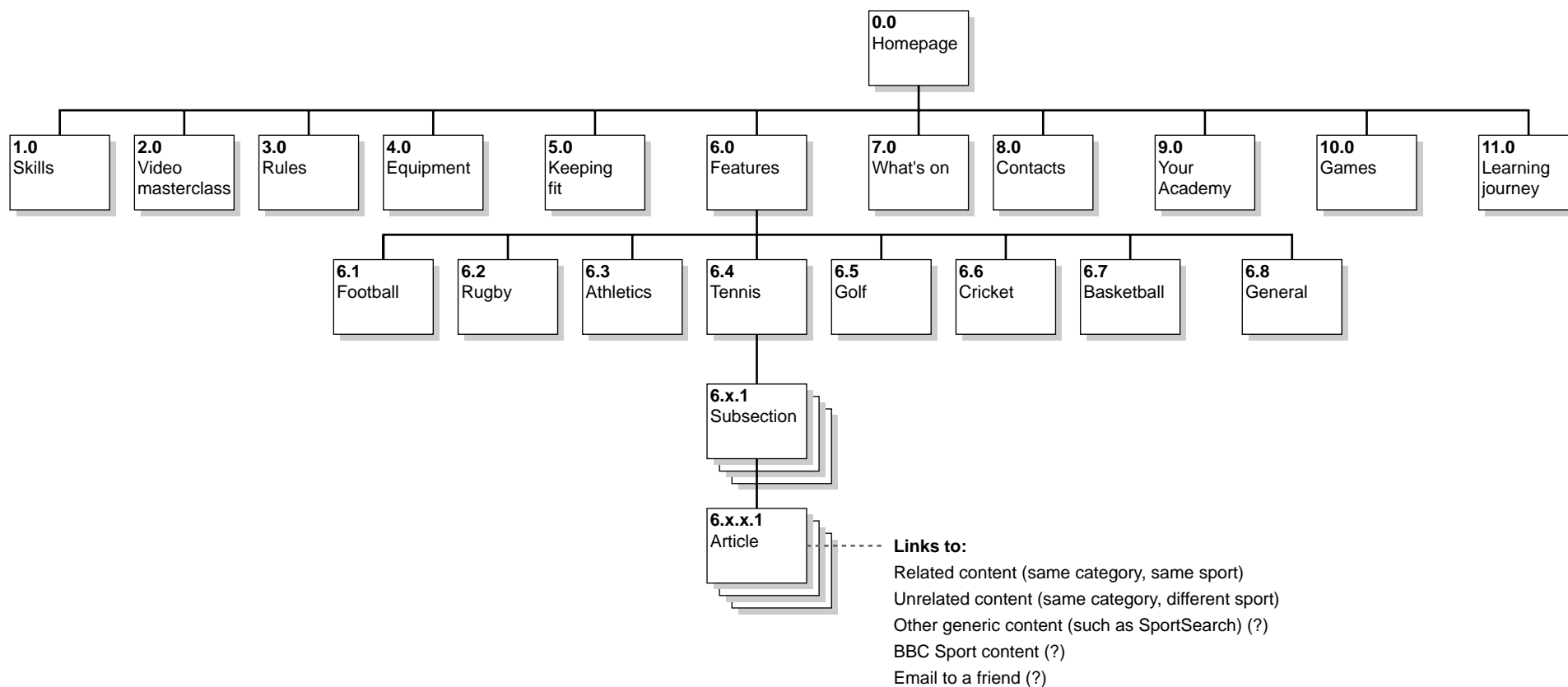
Overview one – Keeping fit path

All the sports would be listed out fully as in the other paths. Utilities (which obviously needs a better name) is the area where the 'Calorie counter' and the 'Body mass indicator' would live. Clinic houses the health information – again a better label is needed.



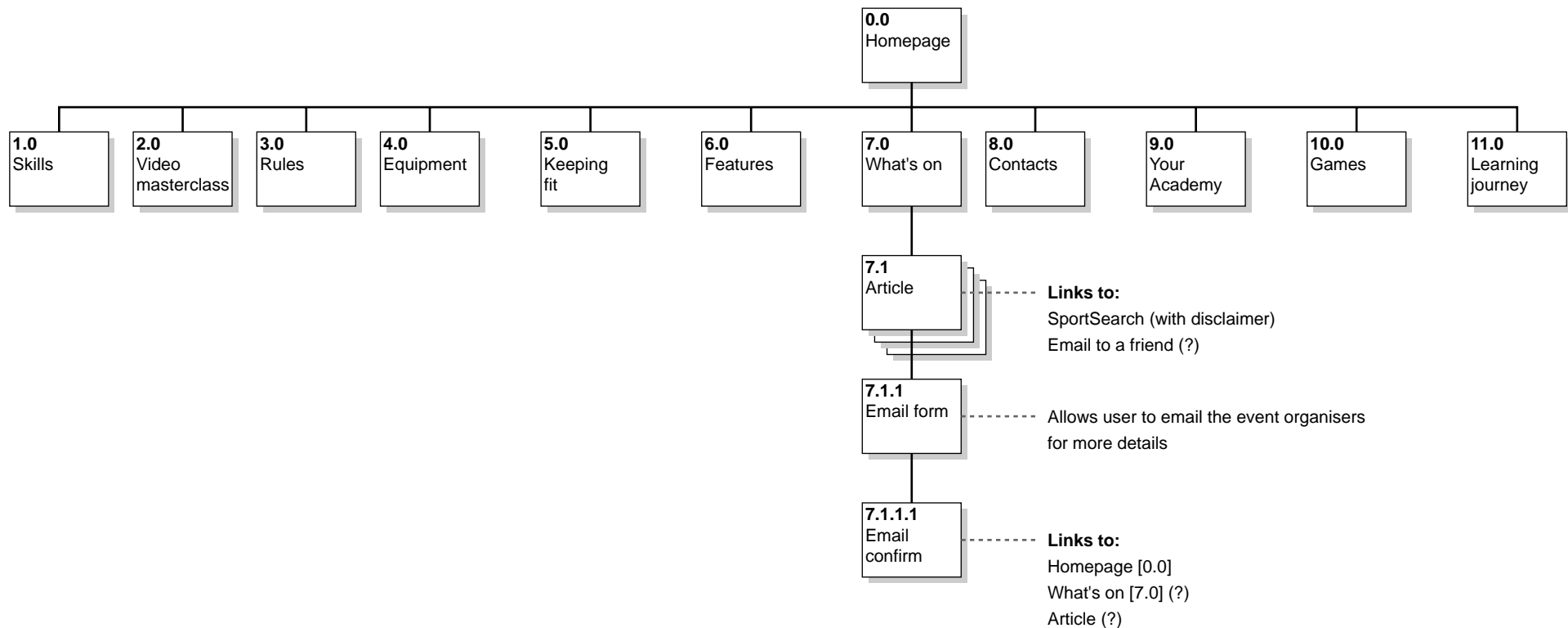
Overview one – Features path

Feature article level pages do not have a separate print version, as they will be printable themselves. These pages may also contain audio and video content.



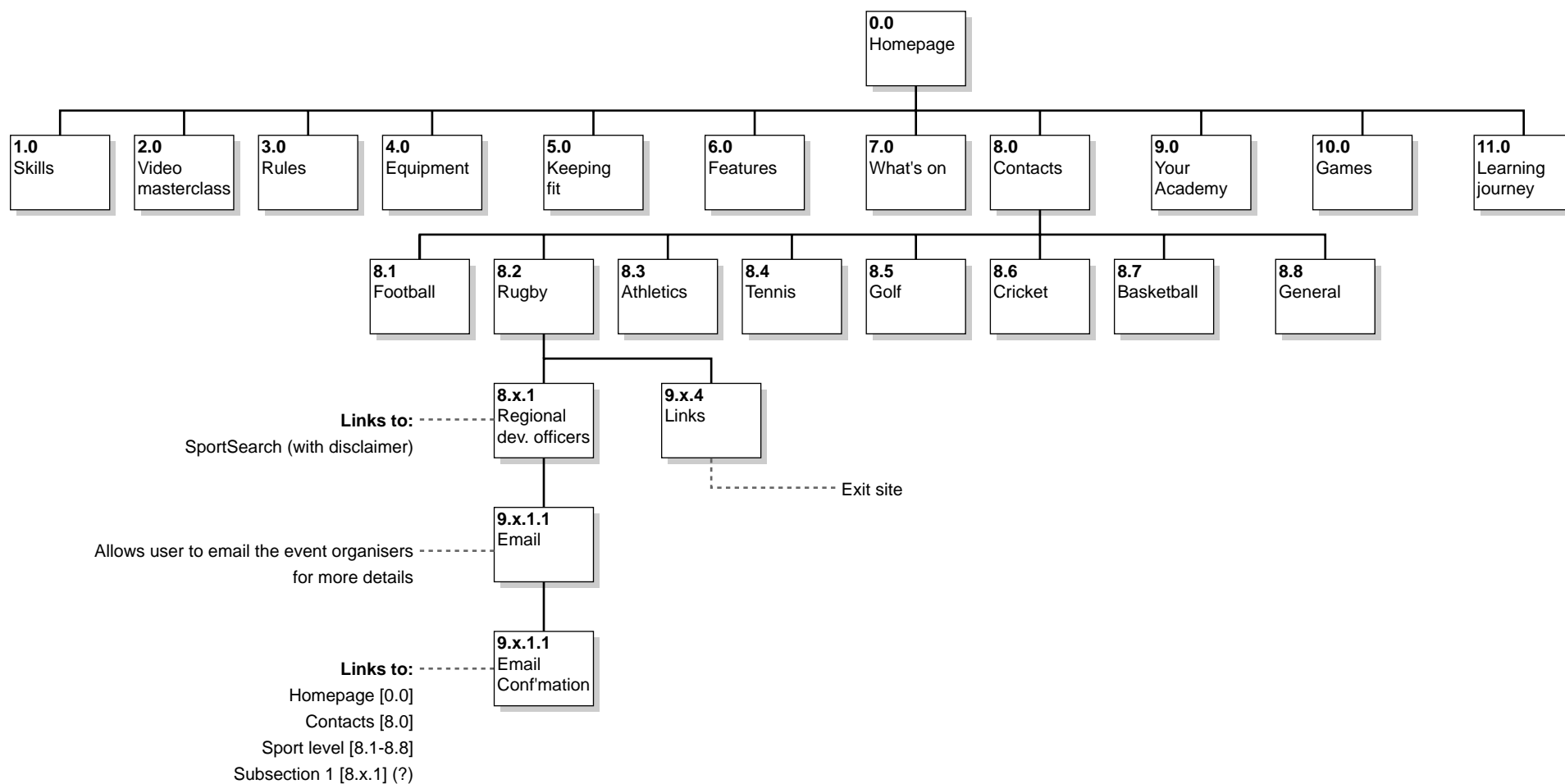
Overview one – What's on path

Upon entering this page the user would be presented with a list of up-coming events for all sports. Clicking on an item in the list would produce a more detailed article level page on that particular event.



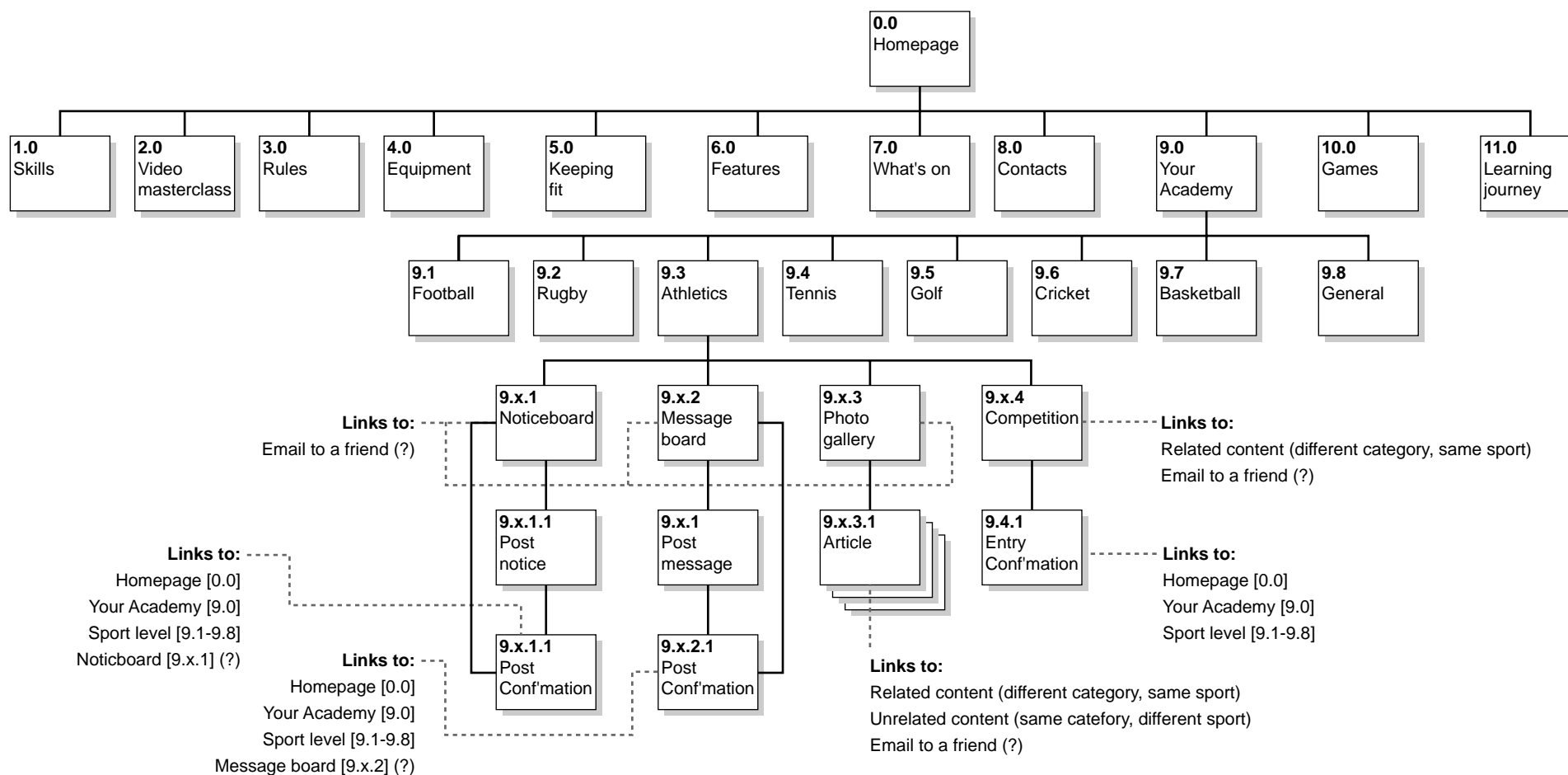
Overview one – Contacts path

Contacts contains two areas within each sport – a section of links to governing bodies and affiliates, plus a list of contact information for regional development officers.



Overview one – Your Academy path

Your Academy (better label required) is the area of that allows users to participate in our site, via Noticeboards, Message boards and Photo galleries. Competitions will also live in this area.



Overview one – Games path

The Games path is straightforward, simply divided by sport then straight into a game. The important thing here is the links that we put on the games pages.

